



Delphi injector Catalogue

Update 07/2022



**OEM CODES AND PARTS NUMBERS ARE
GIVEN FOR REFERENCE PURPOSE ONLY**

[2]



ABBREVIATIONS

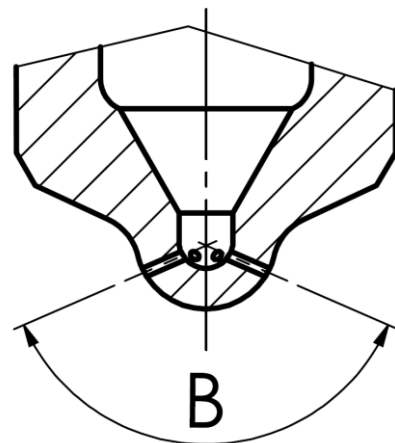
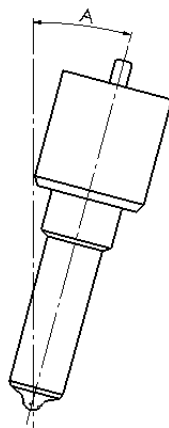
- Holes

In this section are reported the information about how many micro holes there are and their diameter, in this following way: <N.microholes> x <Diameter microholes>

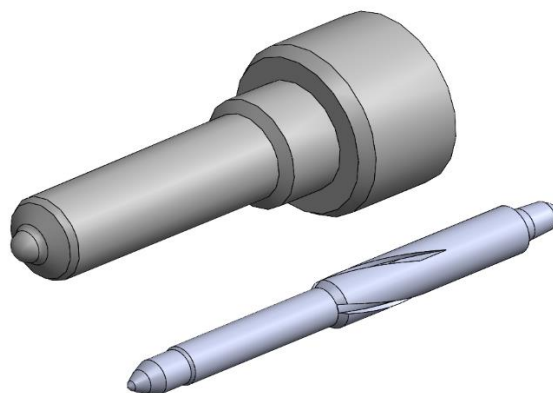
- Angles

In this section are reported the information related to nozzle and micro holes angular position

Engine Angle	Spray Angle
A	B



Delphi nozzle



FIRAD code	DELPHI® Stamping	DELPHI® Injector Code	OE code	Vehicle/ Engine
ALLA130FL022	L 022 PBC	BEBE4B17102 EX631012	John Deere RE517659 John Deere RE517662 John Deere RE566205 John Deere RG33967 John Deere SE501957	John Deere
ASLA131FL276	L 276 PBA		PERKINS 3153381 PERKINS 2645AK025 PERKINS 323-5102 PERKINS 2645K028	Perkins NL - 1104D.44T Perkins NM - 1104D.44TA
ALRL023	L 023 PBC	BEBE2A01001		LAND ROVER Discovery 2.5 III
ALLA 140 FL 072	L 072 PBA		PERKINS 2645K609 FERGUSON 4222 977 M1	
ALLA 141 FL 430	L 430 PBA	LJBB06003A		
ASLA142FL030	L 030 PBC	BEBE2A00101		LAND ROVER Discovery 2.5 II
ALLA143FL283	L 283 PBJ			
ASLA144FL087	L 087 PBD	EJBR01401Z EJBR01701Z EJBR02101Z EJBR04101D 28232242 HRD336		DACIA Logan 1.5 NISSAN Kubistar 1.5 RENAULT Clio, Kangoo, Modus, Symbol, Thalia SUZUKI Jimny
ASLA144FL120	L 120 PBD	EJBR01801A EJBR04001D 28232248 HRD337		NISSAN Kubistar 1.5 REANULT Clio, Grand Scenic, Kangoo, Megane, Modus, Scenic, Symbol, Thalia
ALLA145FL077	L 077 PBD	B02303D B02801D	FORD XC1Q-BG	FORD Transit
ALLA145FL311	L 311 PBC	BEBE4D19002		
ASLA146FL109	L 109 PBD	EJBR01001A EJBR01001Z HRD335	Citroen 198091	CITROEN C3

[4]



		R01001A R01001Z		
ASLA146FL138	L 138 PBD	EJBR02601Z EJBR04601D R04601D HRD341		SSANGYONG Kyron, Rexton, Rodius
ALLA146FL263	L 263 PBC	28231462		SEAT Ibiza SKODA Fabia SKODA Roomster WOLKSWAGEN Polo
ALLA146FL271	L 271 PBJ	BEBE4E00101 EX631018	DETROIT DIESEL 19514481D DETROIT DIESEL 19700189D DETROIT DIESEL EFE4E00001 DETROIT DIESEL FE4E0000 DETROIT DIESEL FE4E00001 DETROIT DIESEL RFE4E00001 DETROIT DIESEL MDDCFE4E00001	Detroit Diesel 60 series 14 L
ALLA148FL216	L 216 PBC	BEBE4D01001	VOLVO 21371672 RENAULT 7421340611 VOLVO 9021371672 VOLVO 21340611 VOLVO 85003263 RENAULT 7420972225 VOLVO 85000497	VOLVO D13D4600/D13A400/D13A440MD13 Caterpillar 3132
ASLA148FL157	L 157 PBD	EJBR03401D R04701D HRD340		SSANGYONG Actyon, Kyron
AFFL079	L 079 PBD	D02701D		
ALLA149FL042	L 024 PBC	BEBE4B15002		
ALLA149FL207	L 027 PBC	BEBE4C02102		
ASLA150FL097	L 097 PBD	EJBR02801D EJBR03601D R02801D HRD332		KIA Carnival, Sedona
ALLA150FL121	L 121 PBD	EJBR01302Z R02201Z HRD321 EJBR01601Z EJBR02201Z		FORD Focus, Tourneo, Transit
ALLA150FL229	L 229 PBC	BEBE4C08001		VOLVO
ALLA150FL194	L 194 PBC	BEBE4D08003 BEBE4D16003 BEBE4D24003 BEBE4D24103		VOLVO
ALLA150FL053	L 053 PBC	BEBJ1A00201 1742535 BEBJ1A00101 BEBJ1A00001 BEBJ1A05001		DAF XF 105
ALLA150FL076	L 076 PBD	EJBR02201D		
ALLA150FL381	L 381 PRD	EJBR05102D 28232251		DACIA Dokker, Duster, Lodgy, Sandero

[5]

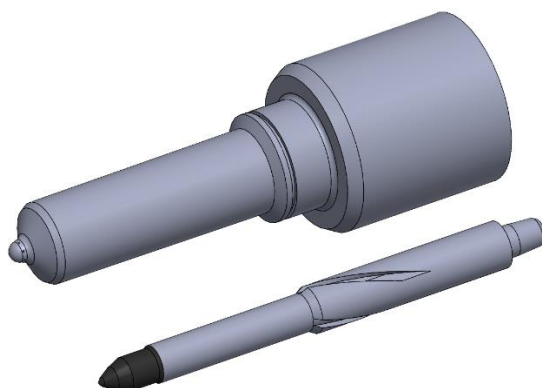


		HRD339		MERCEDES Citan NISSAN Cubistar, Micra, Note RENAULT Captur, Clio
ALLA150FL052	L 052 PBC	BEBE4D01001 BEBE4D01101 BEBE4D01201 BEBE4D01301 BEBE4D31001		VOLVO
ALLA150FL236	D 236			
ALLA150FL240	L 240 PBC	BEBE4D14001 BEBE4D14101		VOLVO
ALLA150FL322	L 322 PBC	BEBE4K01001		VOLVO MD13
ALLA150FL358	L 358 PBC	BEBE4D21002 21977909 BEBE4902002 28484927	HYUNDAI 33800-84840	HYUNDAI
ALLA152FL025	L 025 PBC	BEBE4C0010 HRE112	VOLVO 20430583	RENAULT Magnum 480, 440 VOLVO FH 12 FH, NH 12 NH
ALLA152FL028	L 028 PBC	BEBE4C01101 BEBE4C01001 HRE113	VOLVO 20440388	VOLVO B12B, B9L 9, FH 12 FH, NH 12 NH, FM 9FM9
ALLA152FL045	L 045PBC	BEBE4C09101		HYUNDAI
ALLA152FL222	L 222 PBC	BEBE4C01101		VOLVO DH12D340/DH12D380/DH120D420
ALLA152FL221	L 221 PBC	BEBE4C00101		VOLVO D12/D500/D420/D460
ALLA152FL233	L 233 PBC	BEBE4C09102		HYUNDAI
ALLA152FL215	L 215 PBC	BEBE4D08002		VOLVO
ALLA152FL232	L 232 PBC	BEBE4C09001	HYUNDAI 33800-84400	HYUNDAI, KIA
ALLA152FL325	L 325 PBC	BEBE4J0000 4J01001 4N01001 BEBE4N01001 BEBE4J01001	VOLVO 21207143 VOLVO 21569191 VOLVO 21582103 RENAULT 7421207143 RENAULT 7421569191 VOLVO 85013228	VOLVO MD11
ASLA153FL096	L 096 PBD	EJDR00301Z EJDR00101Z R00301Z HRD322		FORD Mondeo
ALLA153FL195	L 195 PBC	BEBE4D37001 BEBE4D42001	RENAULT 7421644602 RENAULT 7485003951 RENAULT 7421582101 VOLVO 20747787 VOLVO 20747797 VOLVO 21585101 VOLVO 21644602 VOLVO 85003951	VOLVO MD11 3530&35
ASLA154FL133	E 133	EJDR00501Z R00501Z HRD324		FORD Mondeo JAGUAR X Type
ASLA154FL134	L 134 PBD	EJBR00502Z		FORD Mondeo
ASLA154FL135	L 135 PBD	EJDR00503Z		FORD Mondeo



		EJDR00504Z R00504Z HRD326		JAGUAR X Type
ASLA154FL145	L 145 PBD	EJBR01101D EJBR00403Z	FORD 4C1Q-9K546-AB FORD 4C1Q9K546AB	FORD Transit
ALLA154FL223	L 223 PBC	BEBE4C02001 BEBE4C03001 BEBE4C03101 BEBE4C14001		VOLVO
ALLA154FL026	L 026 PBC	BEBE4C03001 BEBE4C03101 HRE114	VOLVO 20500620	VOLVO B9L 9
ALLA154FL211	L 211 PBC	BEBE4D35001	RENAULT 7421582094 RENAULT 7421644596 VOLVO 21644596 VOLVO 85003948	RENAULT 11LTR
ALLA155FL210	L 210 PBC	BEBE4D20002 BEBE4D35002	RENAULT 7421028880 RENAULT 74221644598 RENAULT 7485003042 RENAULT 7485003949 VOLVO 85003042	RENAULT 11LTR
AFTL128	L 128 PBD	EJBR00202Z EJBR00402Z	FORD 3S7Q9K546AA FORD RM3S7Q9K546AB	FORD Mondeo
ASLA156FL136	L 136 PBD	EJBR02501Z EJBR03001D R03001D HRD333		KIA Bongo, Frontier, Pregio
ALLA 156 FL 241	L 241 PBB		MERCEDES A 006 017 6721	MERCEDES Atego MERCEDES Axor MERCEDES Vario
ALLA156FL281	D 281	EJBR05501D		
ALLA156FL357	L 357 PBC	BEBE4D21001	HYUNDAI 33800-84830	HYUNDAI HD 170
ASLA158FL137	L 137 PBD	EJBR02401Z R03701D HRD334 EJBR02901D EJBR03701D		HYUNDAI Terracan
ALR3419	HBX 6963419			





FIRAD code	DELPHI® Stamping	DELPHI® Injector Code	OE code	Vehicle/ Engine
ALLA 152 DP 375	E375	28236381		HYUNDAI H1, i800, Starex
ALLA 153 DP 374	C374	28229873	HYUNDAI 33800-4A710	Hyundai HR 2.5
ALLA 154 DP 347 (ex ALLA154DPC284)	L347PRD	28342997 28307309 28348371 R00002D	MERCEDES A 651 070 4987 MERCEDES A 651 070 4987 0005	Mercedes Sprinter CDI 2.2 Jeep Compass and Patriot, Mercedes C, CLS, E, GLK, V, Viano and Vito
ALLA 144 DP 430	J430	28347042		BOBCAT A, S T series DOOSAN D engines TONG YANG MOOLSAN T series
ALLA 142 DP 441	J441	28337917	BOBCAT 7030364	BOBCAT Toolcat BOBCAT E, S, T series DOOSAN D engines



Delphi nozzle geometric features

FIRAD code	DELPHI® Stamping	Engine angle	Spray angle	Holes
ALLA130FL022	L 022 PBC	0°	130°	6 x 0,230
ALRL023	L 023 PBC	9°30'	136°	6 x 0,160
ALLA 140 FL 072	L 072 PBA	13°	140°	5 x 0,255
ALLA 141 FL 430	L430 PBA	14°	141°	7 x 0,200
ALLA142DP441	J441	0°	142°	7 x 0,125
ASLA142FL030	L 030 PBC	8°	142°	6 x 0,185
ALLA143FL283	L 283 PBJ	6°	143°	6 X 0,220
ALLA144DP430	J430	0°	144°	7 x 0,145
ASLA144FL087	L 087 PBD	13°30'	144°	5 X 0,145
ASLA144FL120	L 120 PBD	13°30'	144°	5 x 0,150
ALLA145FL077	L 077 PBD	0°	145°	6 x 0,160
ALLA145FL311	L 311 PBC	0°	145°	6 x 0,205
ASLA146FL109	L 109 PBD	0°	146°	6 x 0,130
ASLA146FL138	L 138 PBD	0°	146°	5 x 0,180
ALLA146FL263	L 263 PBC	0°	146°	6 x 0,295
ALLA146FL271	L 271 PBJ	0°	146°	6 x 0,215
ALLA148FL216	L 216 PBC	0°	148°	5 x 0,250
ASLA148FL157	L 157 PBD	0°	148°	6 x 0,155
AFFL079	L 079 PBD	19°30'	148°	5 x 0,170
ALLA149FL042	L 024 PBC	0°	149°	6 x 0,260
ALLA149FL207	L 027 PBC	0°	149°	5 x 0,215
ASLA150FL097	L 097 PBD	0°	150°	6 x 0,180
ALLA150FL121	L 121 PBD	19°30'	150°	6 x 0,150
ALLA150FL229	L 229 PBC	0°	150°	6 x 0,270
ALLA150FL194	L 194 PBC	0°	150°	6 x 0,205
ALLA150FL053	L 053 PBC	0°	150°	7 x 0,200
ALLA150FL076	L 076 PBD	0°	150°	6 x 0,150
ALLA150FL381	L 381 PRD	13°	150°	6 x 0,115
ALLA150FL052	L 052 PBC	0°	150°	0,230
ALLA150FL236	D 236	0°	150°	7 x 0,135
ALLA150FL240	L 240 PBC	0°	150°	5 x 0,230
ALLA150FL322	L 322 PBC	0°	150°	6 x 0,240
ALLA150FL358	L 358 PBC	0°	150°	6 x 0,240

[9]



ALLA152DP375	E375	0°	152°	8 x 0,130
ALLA152FL025	L 025 PBC	0°	152°	5 x 0,255
ALLA152FL028	L 028 PBC	0°	152°	5 x 0,250
ALLA152FL045	L 045PBC	0°	152°	6 x 0,245
ALLA152FL222	L 222 PBC	0°	152°	5 x 0,245
ALLA152FL221	L 221 PBC	0°	152°	5 x 0,255
ALLA152FL233	L 233 PBC	0°	152°	6 x 0,225
ALLA152FL215	L 215 PBC	0°	152°	5 x 0,280
ALLA152FL232	L 232 PBC	0°	152°	6 x 0,250
ALLA152FL325	L 325 PBC	0°	152	6 x 0,245
ASLA153FL096	L 096 PBD	0°	153°	6 x 0,150
ALLA153FL195	L 195 PBC	0°	153°	6 x 0,205
ASLA154FL133	E 133	0°	154°	6 x 0,150
ASLA154FL134	L 134 PBD	0°	154°	6 x 0,140
ASLA154FL135	L 135 PBD	0°	154°	7 x 0,130
ASLA154FL145	L 145 PBD	0°	154°	6 x 0,110
ALLA154FL223	L 223 PBC	0°	154°	5 x 0,225
ALLA154FL026	L 026 PBC	0°	154°	5 x 0,225
ALLA154FL211	L 211 PBC	0°	154°	5 x 0,230
ALLA155FL210	L 210 PBC	0°	155°	5 x 0,245
AFTL128	L 128 PBD	0°	155°	6 x 0,140
ASLA156FL136	L 136 PBD	0°	156°	6 x 0,180
ALLA 156 FL 241	L 241 PBB	0°	156°	9 x 0,135
ALLA156FL281	D 281	0°	156°	7 x 0,120
ALLA156FL357	L 357 PBC	0°	156°	6 x 0,230
ASLA158FL137	L 137 PBD	0°	158°	6 x 0,160
ALR3419	HBX 6963419	9°30'		6 x 0,160



