



Denso injector

Catalogue

Update 10/2022



**OEM CODES AND PARTS NUMBERS ARE
GIVEN FOR REFERENCE PURPOSE ONLY**

[2]



ABBREVIATIONS

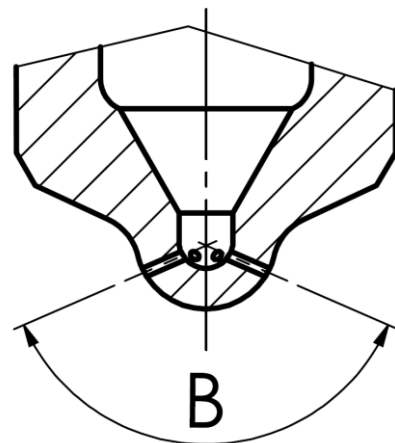
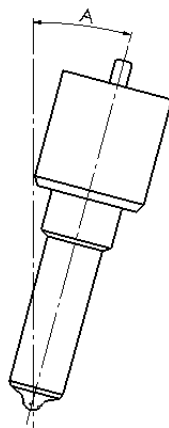
- Holes

In this section are reported the information about how many micro holes there are and their diameter, in this following way: <N.microholes> x <Diameter microholes>

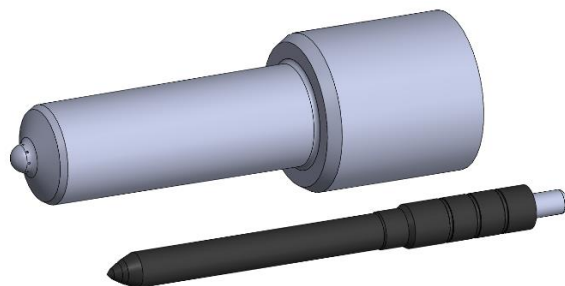
- Angles

In this section are reported the information related to nozzle and micro holes angular position

Engine Angle	Spray Angle
A	B



Denso nozzle (1st and 2nd Generation)



FIRAD code	DENSO® Stamping	DENSO® Injector Code	DENSO® New injector code	DENSO® P/N	OE code	Vehicle/ Engine
ALLA 138 P 934-J	DLLA 138 P 934	095000-6280		093400-9340		
ALLA 142 P 793-J	DLLA 142 P 793	095000-0801		093400-7930		ISUZU – 6SD1 Engine ver. Hong Kong
ALLA 142 P 852-J	DLLA 142 P 852	095000-1210		093400-8520		
ALLA 143 P 761-J	DLLA 143 P 761	095000-0562		093400-7610		ISUZU – 4HK1/6HK1 Engines
ALLA 144 P 690-J	DLLA 144 P 690	095000-0145		093400-6900		ISUZU -4HK1/6HK1 Engines
ALLA 145 P 748-J	DLLA 145 P 748			093400-7480		
ALLA 148 P 915-J	DLLA 148 P 915	095000-6070		093400-9150		
ALLA 149 P 786-J	DLLA 149 P 786	095000-0761		093400-7860		KOMATSU (6156-11-330)
ALLA 150 P 835-J	DLLA 150 P 835	095000-5214		093400-8350		ISUZU 6WG1 Engine HITACHI
ALLA 150 P 991-J	DLLA 150 P 991	095000-7172		093400-9910		
ALLA 151 P 771-J	DLLA 151 P 771	095000-0722		093400-7710		ISUZU NISSAN
ALLA 152 P 798-J	DLLA 152 P 798	095000-5014		093400-7980		ISUZU 4HJ1 Engine NISSAN E13C Engine
ALLA 152 P 865-J	DLLA 152 P 865	095000-5510		093400-8650		HINO (E13C Engine)
ALLA 152 P 929-J	DLLA 152 P 929	095000-6303		093400-9290		
ALLA 152 P 1097-J	DLLA 152 P 1097			093400-1097		
ALLA 154 P 669-J	DLLA 154 P 669			093400-6690		ISUZU
ALLA 155 P 683-J	DLLA 155 P 683			093400-6830		
ALLA 155 P 767-J	DLLA 155 P 767	095000-0582		093400-7670		
ALLA 155 P 842-J	DLLA 155 P 842	095000-6591 095000-6593		093400-8420		Hino (Motor J08E)
ALLA 155 P 848-J	DLLA 155 P 848	095000-6350 095000-6353		093400-8480		ISUZU
ALLA 155 P 856-J	DLLA 155 P 856	095000-6603		093400-8560		
ALLA 156 P 799-J	DLLA 156 P 799	095000-5004		093400-7990		ISUZU 6WG1 Engine HITACHI

[4]

FIRAD S.p.A. ® - Via Barge 93, 12031 Bagnolo Piemonte (CN) - ITALY

www.firad.com – www.firad.it - contact: info@firad.it Phone (+39) 0175.392251 - Fax (+39) 0175.392540



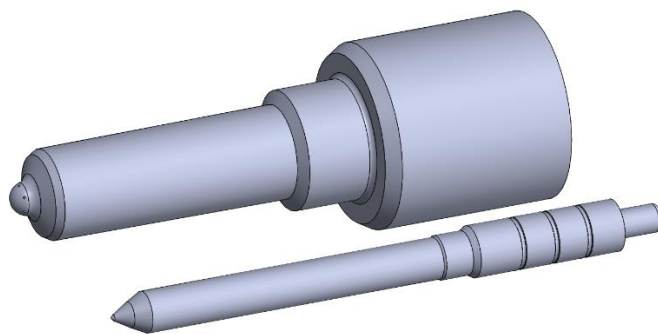
FIRAD code	DENSO® Stamping	DENSO® Injector Code	DENSO® New injector code	DENSO® P/N	OE code	Vehicle/ Engine
ALLA 156 P 910-J	DLLA 156 P 910			093400-9100		
ALLA 157 P 855-J	DLLA 157 P 855	095000-5450		093400-8550		
ALLA 157 P 969-J	DLLA 157 P 969	095000-8621		093400-9690		
ALLA 158 P 834-J	DLLA 158 P 834	095000-5226		093400-8340		Hino (Motor P13C)
ALLA 158 P 844-J	DLLA 158 P 844	095000-5342		093400-8440		HINO
ALLA 158 P 854-J	DLLA 158 P 854	095000-5471 095000-5474		093400-8540		ISUZU 6HK1 ISUZU 4HK1 Sinotruck 230/350/450 Hitachi
ALLA 158 P 909-J	DLLA 158 P 909	095000-5972		093400-9090		
ALLA 158 P 984-J	DLLA 158 P 984	095000-637X		093400-9840		
ALLA 158 P 1092-J	DLLA 158 P 1092	095000-5344		093400-1062		
ALLA 158 P 1096-J	DLLA 158 P 1096	095000-8901		093400-1096		ISUZU VOLVO SERIES 7

[5]

FIRAD S.p.A. ® - Via Barge 93, 12031 Bagnolo Piemonte (CN) - ITALY

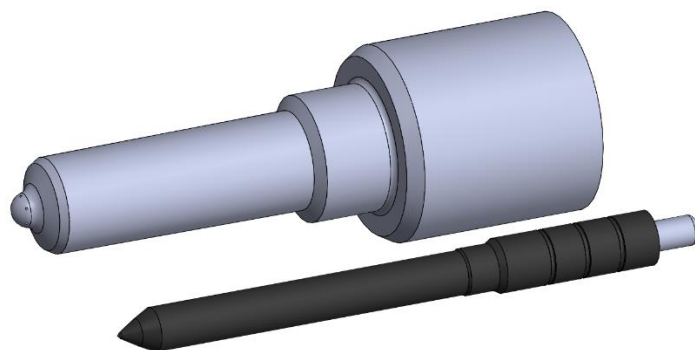
www.firad.com – www.firad.it - contact: info@firad.it Phone (+39) 0175.392251 - Fax (+39) 0175.392540





FIRAD code	DENSO® Stamping	DENSO® Injector Code	DENSO® New injector code	DENSO® P/N	OE code	Vehicle/ Engine
ALLA 150 P 24-J	DLLA 150 P 24			093400-5240		
ALLA 150 P 59-J	DLLA 150 P 59			093400-5590		
ALLA 150 P 61-J	DLLA 150 P 61			093400-5610		
ALLA 152 P 69-J	DLLA 152 P 69			093400-5690		
ALLA 154 P 90-J	DLLA 154 P 90			093400-5900		
ALLA 155 P 16-J	DLLA 155 P 16			093400-5160	TOYOTA 23620-56010	
ALLA 155 P 84-J	DLLA 155 P 84			093400-5840		
ALLA 160 P 3-J	DLLA 160 P 3			093400-5030		
ALLA 160 P 50-J	DLLA 160 P 50			093400-5500		





FIRAD code	DENSO [®] Stamping	DENSO [®] Injector Code	DENSO [®] New injector code	DENSO [®] P/N	OE code	Vehicle/ Engine
ALLA 125 P 889-J	DLLA 125 P 889	095000-6480		093400-8890	John Deere RE 529149 John Deere RE546776 John Deere RE528407 John Deere SE501947 ALLIANT POWER AP51800 ALLIANT POWER AP51900	John Deere 9.0
ALLA 127 P 944-J	DLLA 127 P 944	095000-6310		093400-9440	John Deere RE546784 John Deere RE531209 John Deere RE530362 John Deere SE501925 ALLIANT POWER AP52802 ALLIANT POWER AP52902	John Deere 4.5 John Deere 6.8
ALLA 127 P 945-J	DLLA 127 P 945	095000-6320		093400-9450	John Deere RE546783 John Deere RE531210 John Deere RE530361 John Deere SE50192 ALLIANT POWER AP52803 ALLIANT POWER AP52903	John Deere 4.5 John Deere 6.8
ALLA 127 P 1098-J	DLLA 127 P 1098	095000-6310		093400-9441	John Deere RE546784 John Deere RE531209 John Deere RE530362 John Deere SE501925 ALLIANT POWER AP52802 ALLIANT POWER AP52902	John Deere 4.5 John Deere 6.8
ALLA 129 P 890-J	DLLA 129 P 890	095000-6470		093400-8900	John Deere RE546777 John Deere RE528408 John Deere RE529151 John Deere SE501948 ALLIANT POWER AP51802 ALLIANT POWER AP51902	John Deere 9.0
ALLA 129 P 983-J	DLLA 129 P 983	095000-6880		093400-9830	John Deere RE546780 John Deere RE533454 John Deere RE532216 John Deere SE501934 ALLIANT POWER AP52804 ALLIANT POWER AP52904	John Deere 4.5 John Deere 6.8
ALLA 133 P 814-J	DLLA 133 P 814	095000-5050		093400-8140	John Deere RE507860	John Deere 4.5

[7]

FIRAD S.p.A. [®] - Via Barge 93, 12031 Bagnolo Piemonte (CN) - ITALY

www.firad.com – www.firad.it - contact: info@firad.it Phone (+39) 0175.392251 - Fax (+39) 0175.392540



FIRAD code	DENSO® Stamping	DENSO® Injector Code	DENSO® New injector code	DENSO® P/N	OE code	Vehicle/ Engine
					John Deere RE516540 John Deere RE519730 John Deere SE501924 ALLIANT POWER AP52800 ALLIANT POWER AP52900	John Deere 6.8
ALLA 133 P 888-J	DLLA 133 P 888	095000-6460		093400-8880		John Deere Skidder 8.1 L
ALLA 139 P 851-J	DLLA 139 P 851	095000-5480		093400-8510		John Deere 4045H Series 6820
ALLA 139 P 887-J	DLLA 139 P 887	095000-6490		093400-8870	John Deere RE529118 John Deere RE546781 John Deere RE524382 John Deere SE501926 ALLIANT POWER AP52801 ALLIANT POWER AP52901	John Deere D 7430 Engine 6068HL482 John Deere 4.5 John Deere 6.8
ALLA 139 P 925-J	DLLA 139 P 925	095000-6500		093400-9250	John Deere RE529414 John Deere RE529117 John Deere RE546782 John Deere SE501927 ALLIANT POWER AP52806 ALLIANT POWER AP52906	John Deere Series 30 John Deere 6501
ALLA 145 P 864-J	DLLA 145 P 864	095000-5930	DCRI107760	093400-8640	TOYOTA 23670-09060 TOYOTA 23670-09061 TOYOTA 23670-09360 TOYOTA 23670-0L010 TOYOTA 23670-0L070 TOYOTA 23670-30240 TOYOTA 23670-30300 TOYOTA 23670-39235 TOYOTA 23670-39275 TOYOTA 23670-39276	TOYOTA VIGO TOYOTA HILUX 2.5 2KD TOYOTA HIACE
ALLA 145 P 870-J	DLLA 145 P 870	095000-5600	DCRI105600	093400-8700	MITSUBISHI 1465A041	MITSUBISHI L 200 MITSUBISHI TRITON MITSUBISHI PAJERO
ALLA 145 P 875-J	DLLA 145 P 875	095000-5760		093400-8750		MITSUBISHI PAJERO MITSUBISHI TRITON L200
ALLA 145 P 1024-J	DLLA 145 P 1024	095000-5931 095000-7760		093400-0240 093400-1024		TOYOTA HILUX 2.5 D-4D
ALLA 145 P 1031-J	DLLA 145 P 1031	095000-7500	DCRI107500	093400-1031	MITSUBISHI 1465A279	MITSUBISHI PAJERO
ALLA 145 P 1049-J	DLLA 145 P 1049	095000-8010 095000-8011		093400-1049	SINO VG1246080051	SINOTRUK HOWO A7
ALLA 145 P 1091-J	DLLA 145 P 1091			093400-1091		
ALLA 147 P 747-J	DLLA 147 P 747	095000-0570	DCRI100570	093400-7470	TOYOTA 23670-27010 TOYOTA 23670-27030 TOYOTA 23670-29015 TOYOTA 23670-29035 TOYOTA 23670-29036	TOYOTA AVENSIS TOYOTA RAV 4 TOYOTA PREVIA
ALLA 147 P 962-J	DLLA 147 P 962	095000-7011		093400-9620		
ALLA 148 P 763-J	DLLA 148 P 763	095000-0540		093400-7630	John Deere RE524369 John Deere SE501941	John Deere 8.1

[8]

FIRAD S.p.A. ® - Via Barge 93, 12031 Bagnolo Piemonte (CN) - ITALY

www.firad.com – www.firad.it - contact: info@firad.it Phone (+39) 0175.392251 - Fax (+39) 0175.392540



FIRAD code	DENSO® Stamping	DENSO® Injector Code	DENSO® New injector code	DENSO® P/N	OE code	Vehicle/ Engine
					ALLIANT POWER AP50804 ALLIANT POWER AP50904	
ALLA 148 P 764-J	DLLA 148 P 764	095000-0551 095000-0550		093400-7640	John Deere RE501010 John Deere RE524368 John Deere SE501940	John Deere 8.1
ALLA 148 P 765-J	DLLA 148 P 765	095000-0510	DCRI100510	093400-7650	NISSAN 16600-8H800	NISSANX-TRIAL 2.2
ALLA 148 P 800-J	DLLA 148 P 800			093400-8000		NISSAN PRIMERA
ALLA 148 P 816-J	DLLA 148 P 816	095000-5130		093400-8160		NISSAN XTRAIL
ALLA 148 P 817-J	DLLA 148 P 817	095000-5084		093400-8170		OPEL ASTRA 1.7 CDTI
ALLA 148 P 820-J	DLLA 148 P 820	095000-5160		093400-8200	John Deere SE501937 John Deere RE524362 John Deere RE518725 John Deere RE504181 ALLIANT POWER AP50803 ALLIANT POWER AP50903	John Deere 8.1
ALLA 148 P 826-J	DLLA 148 P 826	095000-5190		093400-8260		John Deere Series 8220
ALLA 148 P 828-J	DLLA 148 P 828	095000-5230		093400-8280	John Deere RE524360 John Deere SE501935 ALLIANT POWER AP50802 ALLIANT POWER AP50902	John Deere 8.1
ALLA 148 P 872-J	DLLA 148 P 872	095000-5650	DCRI105650	093400-8720	NISSAN 16600-EB300 NISSAN 16600-EB30E	NISSAN NAVARA NISSAN PATHFINDER NISSAN PICK UP
ALLA 148 P 924-J	DLLA 148 P 924	095000-6130	DCRI106130	093400-9240	ISUZU 8-97376270-0 ISUZU 8-97376270-1 ISUZU 8-97376270-2 ISUZU 8-97376270-3 ISUZU 8-97376270-4 ISUZU 8-97376270-5 ISUZU 8-97376270-6 ISUZU 8-97376270-7 ISUZU 8-97376270-8 ISUZU 8-97376270-9 OPEL 5821102 VAUXHALL 97376270	OPEL ASTRA OPEL CORSA OPEL MERIVA OPEL ZAFIRA VAUXHALL ASTRA VAUXHALL CORSA VAUXHALL MERIVA VAUXHALL ZAFIRA
ALLA 148 P 932-J	DLLA 148 P 932	095000-6240 095000-624002D	DCRI106240	093400-9320	NISSAN 16600-MB40A NISSAN 16600-MB40E NISSAN 16600-VM00D	NISSAN CABSTAR NISSAN CV CABSTAR NISSAN FRONTIER
ALLA 149 P 1036-J	DLLA 149 P 1036	095000-7560 095000-5150		093400-1036	RE524361 RE518726 SE501936	John Deere 8.1
ALLA 150 P 815-J	DLLA 150 P 815	095000-7580	DCRI107580	093400-8150	TOYOTA 23670-09030 TOYOTA 23670-09031 TOYOTA 23670-09220 TOYOTA 23670-09250 TOYOTA 23670-0G010 TOYOTA 23670-0G020	TOYOTA AVENSIS VERSO 2.0



FIRAD code	DENSO® Stamping	DENSO® Injector Code	DENSO® New injector code	DENSO® P/N	OE code	Vehicle/ Engine
					TOYOTA 23670-0G030 TOYOTA 23670-0G040	
ALLA 150 P 866-J	DLLA 150 P 866	095000-5550		093400-8660		HYUNDAI mighty county
ALLA 150 P 914-J	DLLA 150 P 914	095000-5951		093400-9140		
ALLA 150 P 927-J	DLLA 150 P 927	095000-6222 095000-5940		093400-9270		
ALLA 150 P 966-J	DLLA 150 P 966	095000-6770		093400-6770		
ALLA 150 P 1052-J	DLLA 150 P 1052	095000-8100		093400-1052		
ALLA 150 P 1059-J	DLLA 150 P 1059	095000-8310		093400-1059		HYUNDAI mighty county
ALLA 150 P 1113-J	DLLA 150 P 1113	095000-9690		093400-1113		
ALLA 152 P 805-J	DLLA 152 P 805	095000-5030	DCRI107850	093400-8050	MAZDA RF5C 13 H50 MAZDA RF5C 13 H50A MAZDA RF5C 13 H50B MAZDA RF5C 13 H50C MAZDA RFY0 13 H50 MAZDA RFY0 13 H50A MAZDA RFY0 13 H50B	MAZDA 5/6 2.0 MAZDA MPV II
ALLA 152 P 862-J	DLLA 152 P 862	095000-6100	DCRI106980	093400-8620	ISUZU 095000-6983 ISUZU 8-98011604-0 ISUZU 8-98011604-1 ISUZU 8-98011604-2 ISUZU 8-98011604-3 ISUZU 8-98011604-4 ISUZU 8-98011604-5 ISUZU 8-98011604-6 ISUZU 8-98011604-7 ISUZU 8-98011604-8 ISUZU 8-98011604-9 ISUZU 8-98055862-3	ISUZU DMAX / KB
ALLA 152 P 879-J	DLLA 152 P 879	095000-6693		093400-8790		
ALLA 152 P 947-J	DLLA 152 P 947	095000-6250 095000-625002D	DCRI106250	093400-9470	NISSAN 16600-EB700 NISSAN 16600-EB70D NISSAN 16600-EC00A NISSAN 16600-EC00C NISSAN 16600-EC00E	NISSAN NAVARA NISSAN NAVARA NISSAN NP300 NISSAN PATHFINDER NISSAN PICK UP
ALLA 152 P 980-J	DLLA 152 P 980	095000-6980	DCRI106980	093400-9800	ISUZU 095000-6983 ISUZU 8-98011604-0 ISUZU 8-98011604-1 ISUZU 8-98011604-2 ISUZU 8-98011604-3 ISUZU 8-98011604-4 ISUZU 8-98011604-5 ISUZU 8-98011604-6 ISUZU 8-98011604-7 ISUZU 8-98011604-8 ISUZU 8-98011604-9 ISUZU 8-98055862-3	ISUZU D-MAX I ISUZU KB ISUZU ELF 300

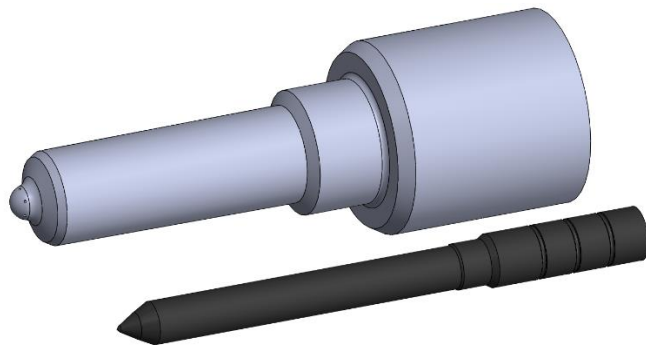


FIRAD code	DENSO® Stamping	DENSO® Injector Code	DENSO® New injector code	DENSO® P/N	OE code	Vehicle/ Engine
ALLA 152 P 981-J	DLLA 152 P 981	095000-6993		093400-9810		
ALLA 152 P 989-J	DLLA 152 P 989			093400-9890		
ALLA 152 P 1072-J	DLLA 152 P 1072	095000-8340		093400-1072	ISUZU 8-98106693-2	
ALLA 153 P 884-J	DLLA 153 P 884	095000-5800	DCRI105800	093400-8840	CITROEN/PEUGEOT 1980.J7 FIAT 71724128 FIAT 71794621 FORD 1372379 FORD 1378432 FORD 1812618 FORD 6C1Q-9K546-AB FORD 6C1Q-9K546-AC FORD RM6C1Q-9K546-AC	CITROËN JUMPER FIAT DUCATO FORD TRANSIT FORD TRANSIT 2.2 Tourneo PEUGEOT BOXER
ALLA 153 P 885-J	DLLA 153 P 885	095000-7060	DCRI107060	093400-8850	FORD 1495919 FORD 1545621 FORD 6C1Q-9K546-BB FORD 6C1Q-9K546-BC FORD RM6C1Q-9K546-BC LAND ROVER LR006803 LAND ROVER LR010137	FORD TRANSIT FORD TRANSIT Tourneo LAND ROVER DEFENDER
ALLA 153 P 958-J	DLLA 153 P 958	095000-6630		093400-9580		
ALLA 154 P 881-J	DLLA 154 P 881	095000-6290		093400-8810		
ALLA 155 P 750-J	DLLA 155 P 750					
ALLA 155 P 753-J	DLLA 155 P 753	095000-0750	DCRI100750	093400-7530	TOYOTA 23670-30020 TOYOTA 23670-39025 TOYOTA 23670-39026	TOYOTA LAND CRUISER
ALLA 155 P 818-J	DLLA 155 P 818					
ALLA 155 P 840-J	DLLA 155 P 840			093400-8400		
ALLA 155 P 863-J	DLLA 155 P 863	095000-5921		093400-8630		TOYOTA HILUX 3.0
ALLA 155 P 876-J	DLLA 155 P 876	095000-6040	DCRI107640		TOYOTA 23670-09140 TOYOTA 23670-09210 TOYOTA 23670-09290 TOYOTA 23670-0R020 TOYOTA 23670-0R070 TOYOTA 23670-0R120 TOYOTA 23670-0R170	TOYOTA COROLLA Verso TOYOTA RAV 4 III
ALLA 155 P 880-J	DLLA 155 P 880	095000-7030	DCRI107780	093400-8800	TOYOTA 23670-09070 TOYOTA 23670-09330 TOYOTA 23670-0L020 TOYOTA 23670-0L050 TOYOTA 23670-30140 TOYOTA 23670-30280 TOYOTA 23670-39185 TOYOTA 23670-39186 TOYOTA 23670-39215 TOYOTA 23670-39216 TOYOTA 23670-39316	TOYOTA HILUX III TOYOTA LAND CRUISER TOYOTA PRADO



FIRAD code	DENSO® Stamping	DENSO® Injector Code	DENSO® New injector code	DENSO® P/N	OE code	Vehicle/ Engine
ALLA 155 P 941-J	DLLA 155 P 941	095000-6510		093400-9410		
ALLA 155 P 960-J	DLLA 155 P 960	095000-7690		093400-9600	TOYOTA 23670-0R050	
ALLA 155 P 965-J	DLLA 155 P 965	095000-6700		093400-9650		Sinotruck Howo
ALLA 155 P 970-J	DLLA 155 P 970	095000-7530		093400-9700		
ALLA 155 P 971-J	DLLA 155 P 971	095000-8061 095000-7180		093400-9710		
ALLA 155 P 985-J	DLLA 155 P 985	095000-5890	DCRI107730	093400-9850	TOYOTA 23670-30080 TOYOTA 23670-30180 TOYOTA 23670-30210 TOYOTA 23670-30320 TOYOTA 23670-39135 TOYOTA 23670-39136 TOYOTA 23670-39155 TOYOTA 23670-39156 TOYOTA 23670-39295 TOYOTA 23670-39296	TOYOTA LAND CRUISER TOYOTA PRADO
ALLA 155 P 1025-J	DLLA 155 P 1025	095000-7781		093400-1025		
ALLA 155 P 1030-J	DLLA 155 P 1030			093400-1030		
ALLA 155 P 1044-J	DLLA 155 P 1044	095000-6520		093400-1044		
ALLA 155 P 1062-J	DLLA 155 P 1062	095000-8290	DCRI107780	093400-1062	TOYOTA 23670-09070 TOYOTA 23670-09330 TOYOTA 23670-0L020 TOYOTA 23670-0L050 TOYOTA 23670-30140 TOYOTA 23670-30280 TOYOTA 23670-39185 TOYOTA 23670-39186 TOYOTA 23670-39215 TOYOTA 23670-39216 TOYOTA 23670-39316	TOYOTA HILUX TOYOTA LAND CRUISER TOYOTA PRADO
ALLA 155 P 1090-J	DLLA 155 P 1090			093400-1090		HOWO SINOTRUCK



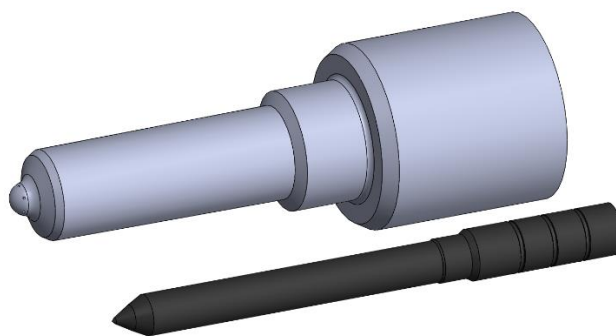


FIRAD code	DENSO [®] Stamping	DENSO [®] Injector Code	DENSO [®] New injector code	DENSO [®] P/N	OE code	Vehicle/ Engine
ALLA 146 P 768-J	DLLA 146 P 768			093400-7680		
ALLA 155 P 939-J	DLLA 155 P 939	095000-7670	DCRI107670	093400-9390	TOYOTA 23670-09180 TOYOTA 23670-09240 TOYOTA 23670-09280 TOYOTA 23670-0R030 TOYOTA 23670-0R140 TOYOTA 23670-0R190	TOYOTA AURIS TOYOTA AVENSIS TOYOTA COROLLA TOYOTA VERSO



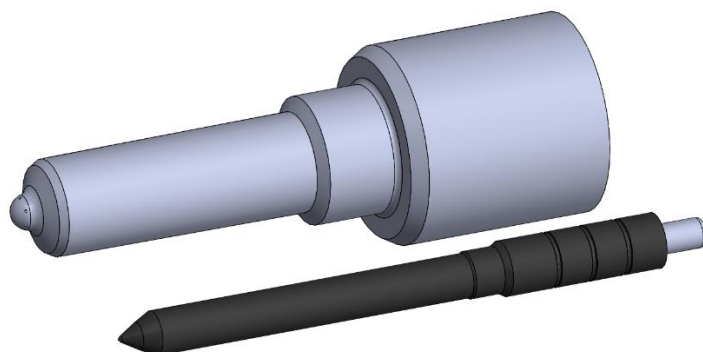
Denso nozzle 3rd Generation

(Needle Ø 3,50 mm)



FIRAD code	DENSO® Stamping	DENSO® Injector Code	DENSO® New injector code	DENSO® P/N	OE code	Vehicle/ Engine
ALLA 129 G3S17	G3S17	295050-0610			John Deere RE543605 John Deere RE543352 John Deere SE502556	
ALLA 134 G3S18	G3S18	295050-0600			John Deere RE543606 John Deere RE543354 John Deere SE502557	
ALLA 146 G3S53	G3S53	529 6723				CUMMINS
ALLA 146 G3S112	G3S112	534 4766				CUMMINS
ALLA 152 G3S37	G3S37	095000-0470			TOYOTA 23670-0L100 TOYOTA 23670-30410 TOYOTA 23670-09340	TOYOTA Hilux 3.0
ALLA 152 G3S56	G3S56	528 4016				CUMMINS
ALLA 152 G3S92	G3S92	295050-1540 8-98246751-0				ISUZU
ALLA 153 G3S103	G3S103					
ALLA 153 G3S120	G3S120	536 5904				CUMMINS
ALLA 153 G3S127	G3S127	536 7913				CUMMINS
ALLA 154 G3S47	G3S47	295050-1900 295050-0910 8-98260109-0 8-98159583-1				ISUZU DMAX





FIRAD code	DENSO [®] Stamping	DENSO [®] Injector Code	DENSO [®] New injector code	DENSO [®] P/N	OE code	Vehicle/ Engine
ALLA 144 G3S32	G3S32	295050-0560 295050-0740	DCRI300560		MITSUBISHI 1465A351	MITSUBISHI PAJERO Classic MITSUBISHI PAJERO IV
ALLA 144 G3S33	G3S33	295050-0810	DCRI300810		TOYOTA 23670-09380 TOYOTA 23670-OL110	TOYOTA HILUX 2.5 2KD
ALLA 145 G3S45	G3S45	295050-0890				MITSUBISHI L200
ALLA 145 G3S50	G3S50	095000-0960 295050-0960			166005-5x30A	TOYOTA VIGO GM Pick-up S10
ALLA 148 G3S77	G3S77	295050-1760			1465A439	PERKINS Engine TRITON MITSUBISHI L200
ALLA 151 G3S10	G3S10	295050-0300	DCRI300300		NISSAN 16600-1AT0A NISSAN 16600-5X00A	NISSAN MURANO NISSAN NAVARA NISSAN NAVARA NISSAN NP300 NISSAN PATHFINDER NISSAN PICK UP
ALLA 150 G3S7	G3S7	295050-0190 295050-0530	DCRI300470		TOYOTA 23670-09340 TOYOTA 23670-OL100 TOYOTA 23670-30410 TOYOTA 23670-39355	TOYOTA HILUX III
ALLA 152 G3S51	G3S51				166005x30A	NISSAN FRONTIER Sel 2.5
ALLA 152 G3S82	G3S82	11200-E1EC0 D720112010 E1EC011610 01T01693				CUMMINS Engine
ALLA 153 G3S48	G3S48	295050-0930				ISUZU Truck
ALLA 154 G3S6	G3S6	295050-0460 095050-052X	DCRI300460		TOYOTA 23670-30400 TOYOTA 23670-39365	TOYOTA HILUX 3.0 4WD TOYOTA LAND CRUISER TOYOTA PRADO
ALLA 154 G3S43	G3S43	295050-0770	DCRI300770		OPEL 55570012 VAUXHALL 821035 VAUXHALL 95521531 GM 55596708	OPEL ASTRA OPEL MERIVA OPEL MOKKA OPEL ZAFIRA

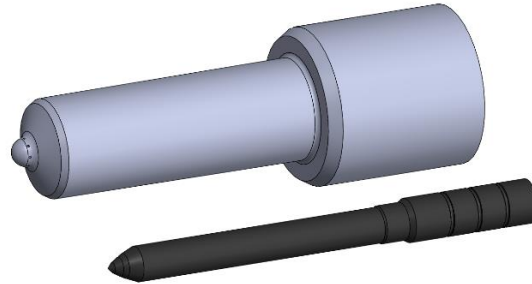
[15]

FIRAD S.p.A. [®] - Via Barge 93, 12031 Bagnolo Piemonte (CN) - ITALY

www.firad.com – www.firad.it - contact: info@firad.it Phone (+39) 0175.392251 - Fax (+39) 0175.392540



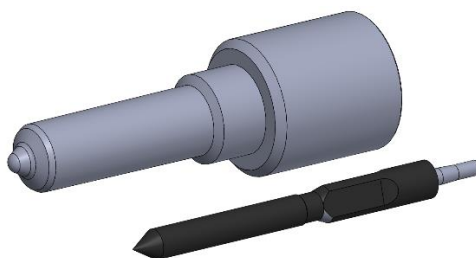
						VAUXHALL ZAFIRA CHEVROLET CRUZE CHEVROLET EQUINOX GMC TERRAIN
--	--	--	--	--	--	--



FIRAD code	DENSO® Stamping	DENSO® Injector Code	DENSO® New injector code	DENSO® P/N	OE code	Vehicle/ Engine
ALLA 133 G3S19	G3S19	095000-0590			John Deere RE545562 John Deere RE543351 John Deere SE502671 ALLIANT POWER AP52807 ALLIANT POWER AP52907	John Deere 4.5L, 6.8L, 8.1L, 9.0L Engine
ALLA 146 G3S11	G3S11	095000-0260				HIMO 500
ALLA 151 G3S79	G3S79	295050-1590			Toyota 23670-E0590	ISUZU Truck
ALLA 151 G3S93	G3S93	295050-1550 295050-2900				ISUZU Truck
ALLA 152 G3S14	G3S14	095000-0323			ALLIANT POWER AP53908	
ALLA 153 G3S41	G3S41	295050-0760			Toyota 23670-E9260	HINO N04C engine
ALLA 154 G3S99	G3S99	295050-1450 295050-2870 8-98259287-0				ISUZU Truck
ALLA 158 G3S91	G3S91	295050-1520 8-98243863-0			15208630 11T01106	ISUZU Truck



Denso piezoelectric nozzle 2nd Generation



FIRAD code	DENSO® Stamping	DENSO® Injector Code	DENSO® New injector code	DENSO® P/N	OE code	Vehicle/ Engine
ALLA 154 G2P1	G2P1	295900-0010				
ALLA 156 G2P3	G2P3	295900-0110 295000-0110	DCRI200110		TOYOTA 23670-0R040 TOYOTA 23670-0R041 TOYOTA 23670-26011 TOYOTA 23670-26020 TOYOTA 23670-26020-2 TOYOTA 23670-29055 TOYOTA 23670-29105	LEXUS IS II TOYOTA AURIS (E15) TOYOTA AVENSIS TOYOTA AVENSIS TOYOTA COROLLA TOYOTA RAV 4 III TOYOTA RAV 4 IV TOYOTA VERSO

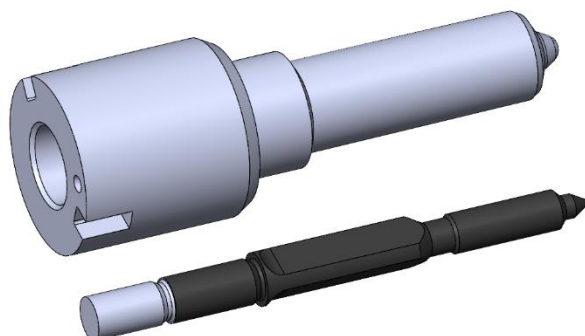
[17]

FIRAD S.p.A. ® - Via Barge 93, 12031 Bagnolo Piemonte (CN) - ITALY

www.firad.com – www.firad.it - contact: info@firad.it Phone (+39) 0175.392251 - Fax (+39) 0175.392540



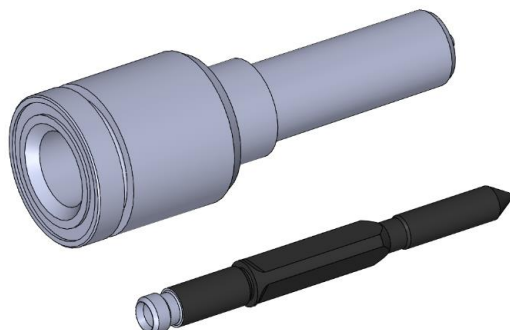
Denso piezoelectric nozzle 3rd Generation



FIRAD code	DENSO® Stamping	DENSO® Injector Code	DENSO® New injector code	DENSO® P/N	OE code	Vehicle/ Engine
ALLA 152 G3P012	G3P012	29500-0270			TOYOTA 23670-30270	TOYOTA HILUX
ALLA 152 G3P004	G3P004	295900-0170 295900-0420	DCRI200420		LEXUS 23670-26061 LEXUS 23670-29125 LEXUS 23670-29126 TOYOTA 23670-0R090 TOYOTA 23670-0R091 TOYOTA 23670-26060	TOYOTA AVENSIS TOYOTA RAV 4 III TOYOTA RAV 4 IV TOYOTA VERSO
ALLA 152 G3P016	G3P016	295900-0420	DCRI200420		LEXUS 23670-26061 LEXUS 23670-29125 LEXUS 23670-29126 TOYOTA 23670-0R090 TOYOTA 23670-0R091 TOYOTA 23670-26060	TOYOTA AVENSIS TOYOTA RAV 4 III TOYOTA RAV 4 IV
ALLA 154 G3P005	G3P005	295900-0180 295900-0430	DCRI200430		TOYOTA 23670-0R100 TOYOTA 23670-0R101 TOYOTA 23670-26070 TOYOTA 23670-26071 TOYOTA 23670-29115 TOYOTA 23670-29116	TOYOTA AURIS TOYOTA AVENSIS TOYOTA COROLLA TOYOTA RAV 4 IV TOYOTA VERSO
ALLA 154 G3P017	G3P017	295900-0430	DCRI200430		TOYOTA 23670-0R100 TOYOTA 23670-0R101 TOYOTA 23670-26070 TOYOTA 23670-26071 TOYOTA 23670-29115 TOYOTA 23670-29116	TOYOTA AURIS TOYOTA AVENSIS TOYOTA COROLLA TOYOTA VERSO
ALLA 155 G3P020	G3P020	295900-0480	DCRI200480		TOYOTA 23670-51060 TOYOTA 23670-59045 LEXUS 23670-51060 LEXUS 23670-59045	TOYOTA LANDCRUISER TOYOTA LX



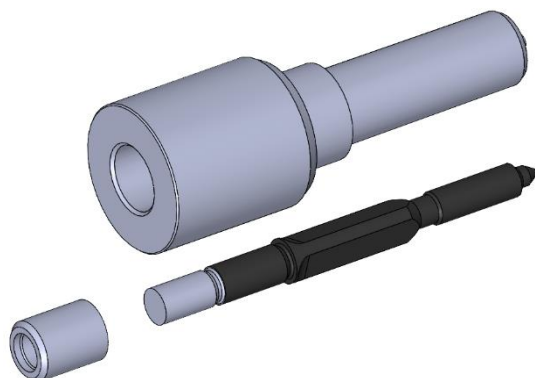
Denso nozzle 4th Generation



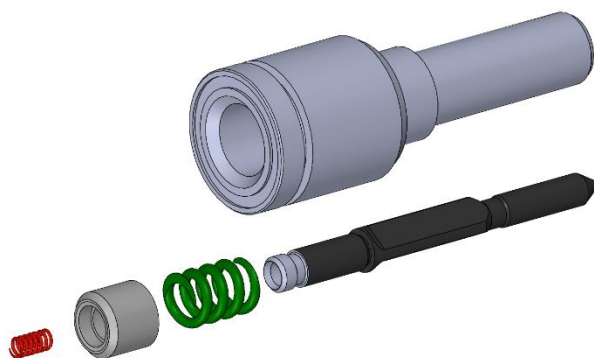
FIRAD code	DENSO [®] Stamping	DENSO [®] Injector Code	DENSO [®] New injector code	DENSO [®] P/N	OE code	Vehicle/ Engine
ALLA 150 G4S011	G4S011	295700-0140			HYUNDAI 33800-4A900	
ALLA 150 G4S016	G4S016				1 J508-53053	
ALLA 155 G4S009	G4S009	295700-0550			TOYOTA 23670-0E010	TOYOTA HILUX
ALLA 155 G4S023	G4S023				GM 12678992	
ALLA 155 G4S054	G4S054				898399-6180	TOYOTA HILUX
ALLA 156 G4S008	G4S008	295700-0560			TOYOTA 23670-0E020	TOYOTA HILUX REVO
ALLA 158 G4S070	G4S070				TOYOTA 23670-0E060	



Denso KIT version



FIRAD code	DENSO® Stamping	DENSO® Injector Code	DENSO® New injector code	DENSO® P/N	OE code	Vehicle/ Engine
KGCF1	GCF1	095000-1020				SINOCMP Engine
THIS COMPONENT CAN ONLY BE SOLD AS KIT BECAUSE BUSH IS MACHFITTED TO THE NEEDLE						



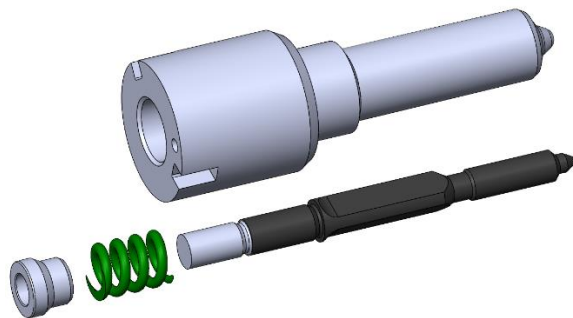
FIRAD code	DENSO® Stamping	DENSO® Injector Code	DENSO® New injector code	DENSO® P/N	OE code	Vehicle/ Engine
KG4S011	G4S011	295700-0140			HYUNDAI 33800-4A900	
KG4S016	G4S016				1 J508-53053	
KG4S009	G4S009	295700-0550			TOYOTA 23670-0E010	TOYOTA HILUX
KG4S023	G4S023				GM 12678992	
KG4S054	G4S054				898399-6180	TOYOTA HILUX
KG4S008	G4S008	295700-0560			TOYOTA 23670-0E020	TOYOTA HILUX REVO
KG4S070	G4S070				TOYOTA 23670-0E060	

[20]

FIRAD S.p.A. ® - Via Barge 93, 12031 Bagnolo Piemonte (CN) - ITALY

www.firad.com – www.firad.it - contact: info@firad.it Phone (+39) 0175.392251 - Fax (+39) 0175.392540





FIRAD code	DENSO® Stamping	DENSO® Injector Code	DENSO® New injector code	DENSO® P/N	OE code	Vehicle/ Engine
KG3P012	G3P012	29500-0270			TOYOTA 23670-30270	TOYOTA HILUX
KG3P004	G3P004	295900-0170 295900-0420	DCRI200420		LEXUS 23670-26061 LEXUS 23670-29125 LEXUS 23670-29126 TOYOTA 23670-0R090 TOYOTA 23670-0R091 TOYOTA 23670-26060	TOYOTA AVENSIS TOYOTA RAV 4 III TOYOTA RAV 4 IV TOYOTA VERSO
KG3P016	G3P016	295900-0420	DCRI200420		LEXUS 23670-26061 LEXUS 23670-29125 LEXUS 23670-29126 TOYOTA 23670-0R090 TOYOTA 23670-0R091 TOYOTA 23670-26060	TOYOTA AVENSIS TOYOTA RAV 4 III TOYOTA RAV 4 IV
KG3P005	G3P005	295900-0180 295900-0430	DCRI200430		TOYOTA 23670-0R100 TOYOTA 23670-0R101 TOYOTA 23670-26070 TOYOTA 23670-26071 TOYOTA 23670-29115 TOYOTA 23670-29116	TOYOTA AURIS TOYOTA AVENSIS TOYOTA COROLLA TOYOTA RAV 4 IV TOYOTA VERSO
KG3P017	G3P017	295900-0430	DCRI200430		TOYOTA 23670-0R100 TOYOTA 23670-0R101 TOYOTA 23670-26070 TOYOTA 23670-26071 TOYOTA 23670-29115 TOYOTA 23670-29116	TOYOTA AURIS TOYOTA AVENSIS TOYOTA COROLLA TOYOTA VERSO
KG3P020	G3P020	295900-0480	DCRI200480		TOYOTA 23670-51060 TOYOTA 23670-59045 LEXUS 23670-51060 LEXUS 23670-59045	TOYOTA LANDCRUISER TOYOTA LX



Denso nozzle (1st and 2nd Generation) geometric features

FIRAD code	DENSO® Stamping	Engine angle	Spray angle	Holes	Needle diameter
ALLA 125 P 889-J	DLLA 125 P 889	0°	125°	6 x 0,200	4,00
ALLA 127 P 944-J	DLLA 127 P 944	14°	127°	5 x 0,180	4,00
ALLA 127 P 945-J	DLLA 127 P 945	14°	127°	5 x 0,155	4,00
ALLA 127 P 1098-J	DLLA 127 P 1098	14°	127°	5 x 0,190	4,00
ALLA 129 P 890-J	DLLA 129 P 890	0°	129°	6 x 0,185	4,00
ALLA 129 P 983-J	DLLA 129 P 983	0°	129°	6 x 0,190	4,00
ALLA 133 P 814-J	DLLA 133 P 814	0°	133°	6 x 0,175	4,00
ALLA 133 P 888-J	DLLA 133 P 888	0°	133°	5 x 0,185	4,00
ALLA 138 P 934-J	DLLA 138 P 934	0°	138°	6 x 0,305	4,00
ALLA 139 P 851-J	DLLA 139 P 851	0°	139°	6 x 0,175	4,00
ALLA 139 P 887-J	DLLA 139 P 887	0°	139°	6 x 0,170	4,00
ALLA 139 P 925-J	DLLA 139 P 925	0°	139°	6 x 0,165	4,00
ALLA 142 P 793-J	DLLA 142 P 793	0°	142°	6 x 0,225	4,00
ALLA 142 P 852-J	DLLA 142 P 852	0°	142°	6 x 0,245	4,00
ALLA 143 P 761-J	DLLA 143 P 761	0°	143°	6 x 0,280	4,00
ALLA 144 P 690-J	DLLA 144 P 690	0°	144°	7 x 0,160	4,00
ALLA 145 P 748-J	DLLA 45 P 748	0°	145°	6 x 0,215	4,00
ALLA 145 P 864-J	DLLA 145 P 864	0°	145°	6 x 0,145	4,00
ALLA 145 P 870-J	DLLA 145 P 870	0°	145°	6 x 0,150	4,00
ALLA 145 P 875-J	DLLA 145 P 875	0°	145°	6 x 0,160	4,00
ALLA 145 P 1024-J	DLLA 145 P 1024	0°	145°	6 x 0,140	4,00
ALLA 145 P 1031-J	DLLA 145 P 1031	0°	145°	7 x 0,155	4,00
ALLA 145 P 1049-J	DLLA 145 P 1049	0°	145°	8 x 0,210	4,00
ALLA 145 P 1091-J	DLLA 145 P 1091	0°	145°	8 x 0,190	4,00
ALLA 146 P 768-J	DLLA 146 P 768	15°	146°	6 x 0,1875	4,00
ALLA 147 P 747-J	DLLA 147 P 747	0°	147°	6 x 0,135	4,00
ALLA 147 P 962-J	DLLA 147 P 962	0°	147°	8 x 0,110	4,00
ALLA 148 P 763-J	DLLA 148 P 763-J	0°	148°	8 x 0,185	4,00
ALLA 148 P 764-J	DLLA 148 P 764	0°	148°	7 x 0,200	4,00
ALLA 148 P 765-J	DLLA 148 P 765	0°	148°	6 x 0,180	4,00
ALLA 148 P 800-J	DLLA 148 P 800	0°	148°	6 x 0,165	4,00
ALLA 148 P 816-J	DLLA 148 P 816	0°	148°	7 x 0,150	4,00
ALLA 148 P 817-J	DLLA 148 P 817	0°	148°	6 x 0,120	4,00

[22]





FIRAD®

DIESEL FUEL INJECTION

FIRAD code	DENSO® Stamping	Engine angle	Spray angle	Holes	Needle diameter
ALLA 148 P 826-J	DLLA 148 P 826	0°	148°	7 x 0,160	4,00
ALLA 148 P 872-J	DLLA 148 P 872	0°	148°	8 x 0,155	4,00
ALLA 148 P 915-J	DLLA 148 P 915	0°	148°	6 x 0,225	4,00
ALLA 148 P 924-J	DLLA 148 P 924	0°	148°	7 x 0,125	4,00
ALLA 148 P 932-J	DLLA 148 P 932	0°	148°	8 x 0,125	4,00
ALLA 149 P 786-J	DLLA 149 P 786	18	149°	8 x 0155	4,00
ALLA 149 P 1036-J	DLLA 149 P 1036	3°30'	149°	7 x 0,190	4,00
ALLA 150 P 24-J	DLLA 150 P 24	15°	150°	5 x 0,250	4,00
ALLA 150 P 59-J	DLLA 150 P 59	19°	150°	4 x 0,300	4,00
ALLA 150 P 61-J	DLLA 150 P 61	15°	150°	4 x 0,280	4,00
ALLA 150 P 815-J	DLLA 150 P 815	0°	150°	6 x 0,115	4,00
ALLA 150 P 835-J	DLLA 150 P 835	0°	150°	6 x 0,200	4,00
ALLA 150 P 866-J	DLLA 150 P 866	16°	150°	6 x 0,170	4,00
ALLA 150 P 914-J	DLLA 150 P 914	12°	150°	6 x 0,170	4,00
ALLA 150 P 927-J	DLLA 150 P 927	0°	150°	8 x 0,170	4,00
ALLA 150 P 991-J	DLLA 150 P 991	0°	150°	6 x 0,225	4,00
ALLA 150 P 1052-J	DLLA 150 P 1052	12°	150°	8 x 0,190	4,00
ALLA 150 P 1059-J	DLLA 150 P 1059	16°	150°	6 x 0,170	4,00
ALLA 150 P 1113-J	DLLA 150 P 1113	0°	150°	6 x 0,150	4,00
ALLA 151 P 771-J	DLLA 151 P 771	0°	151°	5 x 0,215	4,00
ALLA 152 P 69-J	DLLA 152 P 69		152°	5 x 0,300	4,00
ALLA 152 P 798-J	DLLA 152 P 798	0°	152°	6 x 0,195	4,00
ALLA 152 P 805-J	DLLA 152 P 805	0°	152°	6 x 0,130	4,00
ALLA 152 P 862-J	DLLA 152 P 862	0°	152°	6 x 0,145	4,00
ALLA 152 P 865-J	DLLA 152 P 865	0°	152°	8 x 0,190	4,00
ALLA 152 P 879-J	DLLA 152 P 879	0°	152°	6 x 0,120	4,00
ALLA 152 P 929-J	DLLA 152 P 929	0°	152°	8 x 0,215	4,00
ALLA 152 P 947-J	DLLA 152 P 947	0°	152°	8 x 0,150	4,00
ALLA 152 P 980-J	DLLA 152 P 980	0°	152°	6 x 0,140	4,00
ALLA 152 P 981-J	DLLA 152 P 981	0°	152°	6 x 0,135	4,00
ALLA 152 P 989-J	DLLA 152 P 989	0°	152°	8 x 0,140	4,00
ALLA 152 P 1072-J	DLLA 152 P 1072	0°	152°	8 x 0,125	4,00
ALLA 152 P 1097-J	DLLA 152 P 1097	0°	152°	8 x 0,190	4,00
ALLA 153 P 884-J	DLLA 153 P 884	0°	153°	7 x 0,110	4,00
ALLA 153 P 885-J	DLLA 153 P 885	0°	153°	7 x 0,120	4,00
ALLA 153 P 958-J	DLLA 153 P 958	0°	153°	9 x 0,145	4,00

[23]

FIRAD S.p.A. ® - Via Barge 93, 12031 Bagnolo Piemonte (CN) - ITALY

www.firad.com – www.firad.it - contact: info@firad.it Phone (+39) 0175.392251 - Fax (+39) 0175.392540



FIRAD code	DENSO® Stamping	Engine angle	Spray angle	Holes	Needle diameter
ALLA 155 P 1030-J	DLLA 155 P 1030	0°	153°	7 x 0,145	4,00
ALLA 155 P 1044-J	DLLA 155 P 1044	0°	155°	6 x 0,165	4,00
ALLA 154 P 669-J	DLLA 154 P 669	0°	154°	5 x 0,240	4,00
ALLA 154 P 881-J	DLLA 154 P 881	0°	154°	6 x 0,135	4,00
ALLA 155 P 16-J	DLLA 155 P 16	16°	155°	5 x 0,260	4,00
ALLA 155 P 84-J	DLLA 155 P 84	17°	155°	5 x 0,280	4,00
ALLA 155 P 683-J	DLLA 155 P 683	0°	155°	6 x 0,245	4,00
ALLA 155 P 753-J	DLLA 155 P 753	0°	155°	7 x 0,155	4,00
ALLA 155 P 767-J	DLLA 155 P 767	0°	155°	6 x 0,160	4,00
ALLA 155 P 818-J	DLLA 155 P 818	0°	155°	8 x 0,125	4,00
ALLA 155 P 840-J	DLLA 155 P 840	0°	155°	6 x 0,160	4,00
ALLA 155 P 842-J	DLLA 155 P 842	0°	155°	6 x 0,205	4,00
ALLA 155 P 848-J	DLLA 155 P 848	0°	155°	6 x 0,170	4,00
ALLA 155 P 856-J	DLLA 155 P 856	0°	155°	7 x 0,185	4,00
ALLA 155 P 863-J	DLLA 155 P 863	0°	155°	8 x 0,125	4,00
ALLA 155 P 876-J	DLLA 155 P 876	0°	155°	9 x 0,105	4,00
ALLA 155 P 880-J	DLLA 155 P 880	0°	155°	8 x 0,125	4,00
ALLA 155 P 939-J	DLLA 155 P 939	0°	155°	8 x 0,105	4,00
ALLA 155 P 941-J	DLLA 155 P 941	0°	155°	6 x 0,140	4,00
ALLA 155 P 960-J	DLLA 155 P 960	0°	153°30'	9 x 0,100	4,00
ALLA 155 P 965-J	DLLA 155 P 965	0°	155°	8 x 0,195	4,00
ALLA 155 P 970-J	DLLA 155 P 970	0°	155°	9 x 0,110	4,00
ALLA 155 P 971-J	DLLA 155 P 971	0°	155°	9 x 0,100	4,00
ALLA 155 P 985-J	DLLA 155 P 985	0°	155°	8 x 0,130	4,00
ALLA 155 P 1025-J	DLLA 155 P 1025	0°	155°	8 x 0,130	4,00
ALLA 155 P 1044-J	DLLA 155 P 1044	0°	155°	6 x 0,165	4,00
ALLA 155 P 1062-J	DLLA 155 P 1062	0°	155°	8 x 0,125	4,00
ALLA 155 P 1090-J	DLLA 155 P 1090	19°	155°	7 x 0,175	4,00
ALLA 156 P 799-J	DLLA 156 P 799	0°	156°	6 x 0,180	4,00
ALLA 156 P 910-J	DLLA 156 P 910	0°	156°	6 x 0,145	4,00
ALLA 157 P 855-J	DLLA 157 P 855	0°	157°	6 x 0,150	4,00
ALLA 157 P 969-J	DLLA 157 P 969	0°	157°	6 x 0,150	4,00
ALLA 158 P 834-J	DLLA 158 P 834	0°	158°	8 x 0,210	4,00
ALLA 158 P 844-J	DLLA 158 P 844	0°	158°	7 x 0,145	4,00
ALLA 158 P 854-J	DLLA 158 P 854	0°	158°	7 x 0,160	4,00
ALLA 158 P 909-J	DLLA 158 P 909	0°	158°	8 x 0,200	4,00

[24]

FIRAD S.p.A. ® - Via Barge 93, 12031 Bagnolo Piemonte (CN) - ITALY

www.firad.com – www.firad.it - contact: info@firad.it Phone (+39) 0175.392251 - Fax (+39) 0175.392540



FIRAD code	DENSO [®] Stamping	Engine angle	Spray angle	Holes	Needle diameter
ALLA 158 P 984-J	DLLA 158 P 984	0°	158°	7 x 0,160	4,00
ALLA 158 P 1096-J	DLLA 158 P 1096	0°	158°	7 x 0,160	4,00
ALLA 158 P 1092-J	DLLA 158 P 1092	0°	158°	7 x 0,145	4,00
ALLA 160 P 3-J	DLLA 160 P 3	16°	160°	5 x 0,285	4,00
ALLA 160 P 50-J	DLLA 160 P 50	16°	160°	5 x 0,280	4,00

Denso nozzle 3rd Generation geometric features (∅ 3,50 mm)

FIRAD code	DENSO [®] Stamping	Engine angle	Spray angle	Holes	Needle diameter
ALLA 129 G3S17	G3S17	0°	129°	6 x 0,175	3,50
ALLA 133 G3S19	G3S19	0°	133°	6 x 0,135	3,50
ALLA 134 G3S18	G3S18	0°	134°	6 x 0,155	3,50
ALLA 144 G3S32	G3S32	0°	144°	8 x 0,140	3,50
ALLA 144 G3S33	G3S33	0°	144°	6 x 0,140	3,50
ALLA 145 G3S45	G3S45	0°	145°	7 x 0,145	3,50
ALLA 145 G3S50	G3S50	0°	145°	7 X 0,145	3,50
ALLA 146 G3S11	G3S11	0°	146°	7 X 0,155	3,50
ALLA 146 G3S53	G3S53	0°	146°	8 x 0,140	3,50
ALLA 146 G3S112	G3S112	0°	146°	8 x 0,145	3,50
ALLA 148 G3S77	G3S77	0°	148°	8 x 0,125	3,50
ALLA 150 G3S7	G3S7	0°	150°	6 x 0,125	3,50
ALLA 151 G3S10	G3S10	0°	151°	8 x 0,150	3,50
ALLA 151 G3S79	G3S79	0°	151°	6 x 0,225	3,50
ALLA 151 G3S93	G3S93	0°	151°	8 x 0,210	3,50
ALLA 152 G3S37	G3S37	0°	152°	8 x 0,140	3,50
ALLA 152 G3S51	G3S51	0°	152°	8 x 0,160	3,50
ALLA 152 G3S56	G3S56	18°	152°	6 x 0,160	3,50
ALLA 152 G3S82	G3S82	0°	152°	8 x 0,140	3,50
ALLA 152 G3S92	G3S92	0°	152°	6 x 0,140	3,50
ALLA 153 G3S48	G3S48	0°	153°	7 x 0,120	3,50
ALLA 153 G3S41	G3S41	0°	153°	7 x 0,135	3,50

[25]



FIRAD code	DENSO [®] Stamping	Engine angle	Spray angle	Holes	Needle diameter
ALLA 153 G3S103	G3S103	0°	153°	8 x 0,135	3,50
ALLA 153 G3S120	G3S120	18°	153°	6 x 0,160	3,50
ALLA 153 G3S127	G3S127	18°	153°	7 x 0,165	3,50
ALLA 154 G3S6	G3S6	0°	154°	8 x 0,125	3,50
ALLA 154 G3S43	G3S43	0°	154°	8 x 0,110	3,50
ALLA 154 G3S47	G3S47	0°	154°	8 x 0,115	3,50
ALLA 154 G3S99	G3S99	0°	154°	8 x 0,190	3,50
ALLA 158 G3S91	G3S91	0°	158°	7 x 0,160	3,50

Denso nozzle 4th Generation

FIRAD code	DENSO [®] Stamping	Engine angle	Spray angle	Holes	Needle diameter
ALLA 150 G4S011	G4S011	0°	150°	8 x 0,125	4,00
ALLA 150 G4S016	G4S016	0°	150°	7 x 0,135	4,00
ALLA 155 G4S009	G4S009	0°	155°	9 x 0,110	4,00
ALLA 155 G4S023	G4S023	0°	155°	8 x 0,130	4,00
ALLA 155 G4S054	G4S054	0°	155°	8 x 0,130	4,00
ALLA 156 G4S008	G4S008	0°	156°	8 x 0,100	4,00
ALLA 158 G4S070	G4S070	0°	158°	9 x 0,250	4,00
ALLA 146 GCF1	GCF1	0°	146°	8 x 0,140	4,00

Denso piezoelectric nozzle 2nd Generation

FIRAD code	DENSO [®] Stamping	Engine angle	Spray angle	Holes	Needle diameter
ALLA 154 G2P1	G2P1	0°	154°	10 x 0,135	4,00
ALLA 156 G2P3	G2P3	0°	156°	10 x 0,130	4,00



Denso piezoelectric nozzle 3rd Generation

FIRAD code	DENSO [®] Stamping	Engine angle	Spray angle	Holes	Needle diameter
ALLA 152 G3P004	G3P004	0°	152°	9 x 0,10	4,00
ALLA 152 G3P012	G3P012	0°	152°	10 x 0,120	4,00
ALLA 152 G3P016	G3P016	0°	152°	9 x 0,10	4,00
ALLA 154 G3P005	G3P005	0°	154°	9 x 0,09	4,00
ALLA 154 G3P017	G3P017	0°	154°	9 x 0,09	4,00
ALLA 155 G3P020	G3P020	0°	155°	8 x 0,105	4,00

[27]

FIRAD S.p.A. [®] - Via Barge 93, 12031 Bagnolo Piemonte (CN) - ITALY

www.firad.com – www.firad.it - contact: info@firad.it Phone (+39) 0175.392251 - Fax (+39) 0175.392540



